



Elsan Elektrik San. ve Tic. A.Ş  
 Etiler Mah. 1458 Cad. No:40  
 06790 Etimesgut / Ankara / TÜRKİYE  
 Tlf: +90 312 244 09 94 F: +90 312 243 14 38  
 Mail: info@emtas.com.tr / Web Sayfası: www.emtas.com.tr



## TECHNICAL SPECIFICATION SHEET

THREE PHASES SQUIREL CAGE ASYNCHRONOUS MOTOR		
Type	NMST 160Lb 2	
Protection Class	IP55	
Duty Type / Service Factor	S2 240 dak	1.0
Insulation Class	F	
Construction Type /Frame	V5-V6-B6-B7-B8	V1-V3
Altitude / Ambient temperature	V1-V3	40 °C



## PERFORMANCE DATA ( FULL LOAD )

Output Rated (kW)	Speed (1/min)	Voltage (V)	Frequency (Hz)	Current (A)	Efficiency (%)	Power Factor (CosØ)	Rated Torque MN (Nm)	Starting Current IK/IN	Starting Torque MK/MN	Breakdown Torque MD/MN	Moment of Inertia Jmot kgm2
18.5	2930	400	50	32.8	89.4	0.91	60.3	7.0	3.0	3.2	0.0435

## CHARACTERISTIC DATA

Frame	Pik Cast. (GG20)	BEARINGS	Drive End Bearing		Non Drive End Bearing		
Front-Back Cover	Pik Cast. (GG20)		Standart	6309 ZZ		6309 ZZ	
Foot	Sfero Casting		Heavy Duty	NU 309		6309 ZZ	
Fan	Plastik	Special Equipment	Brake	Forced ventilation	Heater	Encoder	Heat Sensor
Terminal Box	Casting		---	---	---	---	---
Cable Gland	Casting	Colour	RAL 6028-Yesil		Weight (kg)		134



## DIMENSIONS (B3-B5-V5-V6-B6-B7-B8)

B3										B5							Common Dimensions										
H	A	B	C	AB	AC	AD	BB	HC	HD	K	P	N	M	S	D.S	T.	LA	LB	LC	L	ØD	E	F	GA	GD	DB	R
160Lb	254	254	108	318	310	236	304	315	373	15	350	250	300	19	4		18		729	613	42	110	12	45	8	*	2 x Pg21

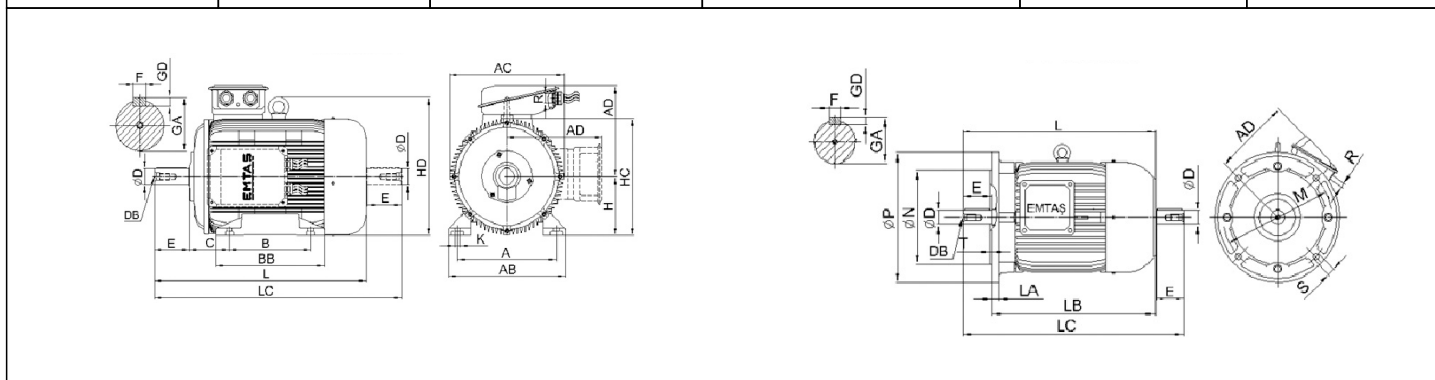


F	er	Pik Cast. (GG20)
F	er	Pik Cast. (GG20)
Foot		Sfero Casting
Fan		Plastik

BEARINGS

	Drive End Bearing	Non Drive End Bearing
Standart	6309 ZZ	6309 ZZ
Heavy Duty	NU 309	6309 ZZ

Terminal Box	Casting	Special Equipment	Brake	Forced ventilation	Heater	Encoder	Heat Sensor
Cable Gland	Casting		Colour	---	---	---	---
			RAL 6028-Yesil		Weight (kg)		134



**DIMENSIONS (B3-B5-V5-V6-B6-B7-B8)**

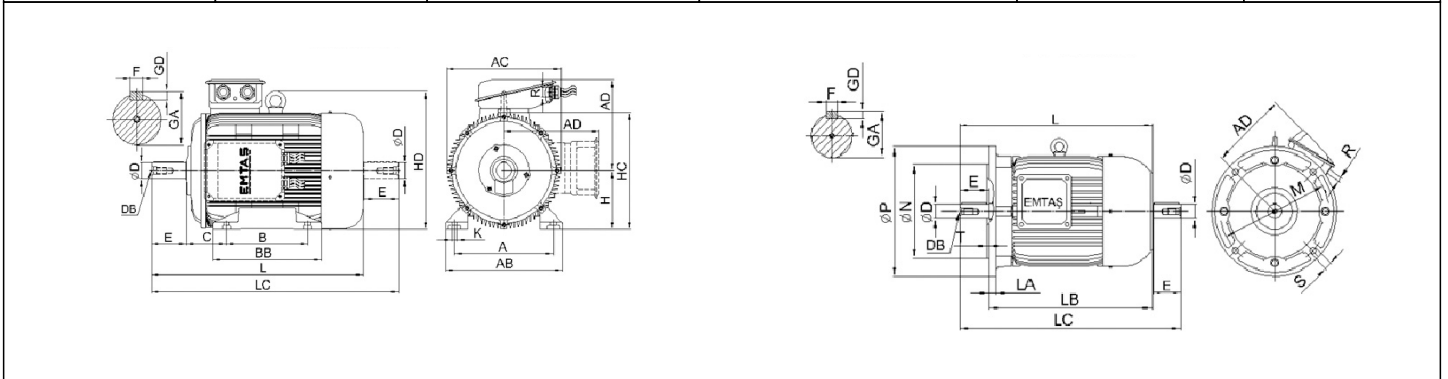
B3										B5							Common Dimensions										
H	A	B	C	AB	AC	AD	BB	HC	HD	K	P	N	M	S	D.S	T.	LA	LB	LC	L	ØD	E	F	GA	GD	DB	R
160Lb	254	254	108	318	310	236	304	315	373	15	350	250	300	19	4		18		729	613	42	110	12	45	8	*	2 x Pg21

F		Pik Cast. (GG20)
F	er	Pik Cast. (GG20)
Foot		Sfero Casting
Fan		Plastik

BEARINGS

	Drive End Bearing	Non Drive End Bearing
Standart	6309 ZZ	6309 ZZ
Heavy Duty	NU 309	6309 ZZ

Terminal Box	Casting	Special Equipment	Brake	Forced ventilation	Heater	Encoder	Heat Sensor
Cable Gland	Casting		Colour	---	---	---	---
			RAL 6028-Yesil		Weight (kg)		134



**DIMENSIONS (B3-B5-V5-V6-B6-B7-B8)**

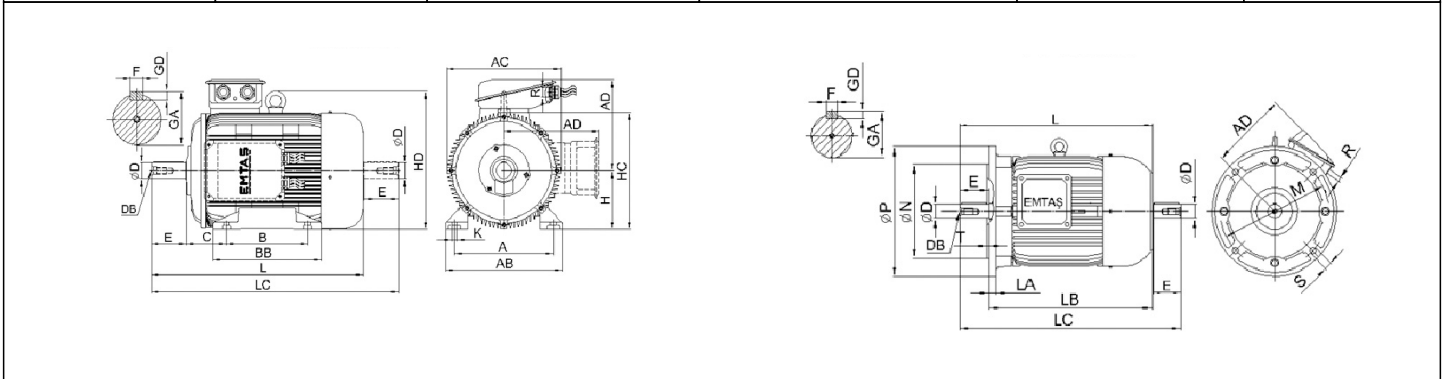
B3										B5							Common Dimensions										
H	A	B	C	AB	AC	AD	BB	HC	HD	K	P	N	M	S	D.S	T.	LA	LB	LC	L	ØD	E	F	GA	GD	DB	R
160Lb	254	254	108	318	310	236	304	315	373	15	350	250	300	19	4		18		729	613	42	110	12	45	8	*	2 x Pg21

F		Pik Cast. (GG20)
F	er	Pik Cast. (GG20)
Foot		Sfero Casting
Fan		Plastik

BEARINGS

	Drive End Bearing	Non Drive End Bearing
Standart	6309 ZZ	6309 ZZ
Heavy Duty	NU 309	6309 ZZ

Terminal Box	Casting	Special Equipment	Brake	Forced ventilation	Heater	Encoder	Heat Sensor
Cable Gland	Casting		Colour	---	---	---	---
			RAL 6028-Yesil		Weight (kg)		134



**DIMENSIONS (B3-B5-V5-V6-B6-B7-B8)**

B3										B5							Common Dimensions										
H	A	B	C	AB	AC	AD	BB	HC	HD	K	P	N	M	S	D.S	T.	LA	LB	LC	L	ØD	E	F	GA	GD	DB	R
160Lb	254	254	108	318	310	236	304	315	373	15	350	250	300	19	4		18		729	613	42	110	12	45	8	*	2 x Pg21