



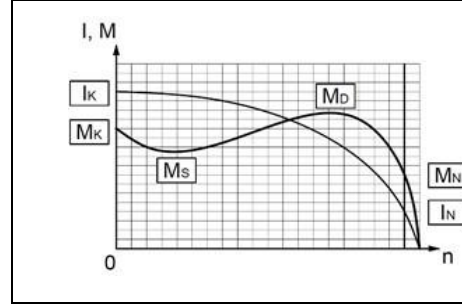
**ELSAN Elektrik San. ve Tic. A.Ş.**  
 Etiler Mah. 1458. Cad. No:40  
 06790 Etimesgut / Ankara / TÜRKİYE  
 T: +90 312 244 09 94 F: +90 312 243 14 38  
 M: info@emtas.com.tr W: www.emtas.com.tr



## TECHNICAL SPECIFICATION SHEET

### THREE PHASES SQUIRREL CAGE ASYNCHRONOUS MOTORS

|                                |            |           |   |
|--------------------------------|------------|-----------|---|
| Type                           | NMST 200L2 |           |   |
| Protection Class               | IP55       |           |   |
| Duty Type / Service Factor     | S1         | 1.0       |   |
| Insulation Class               | H          |           |   |
| Construction Type /Frame       | B3/ 200L2  |           |   |
| Altitude / Ambient temperature | 1000 m     | 40 C°     |   |
| Customer / Date / Order Number | -          | 7.07.2023 | - |

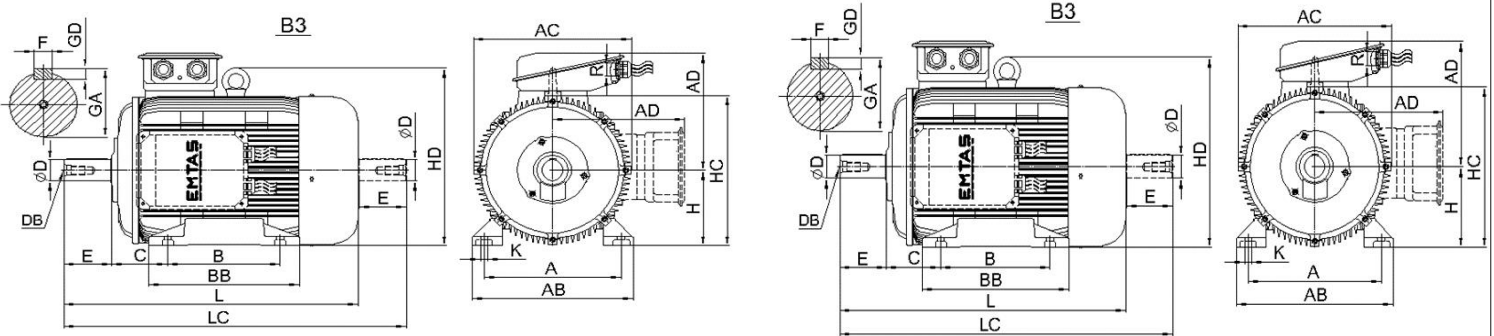


### PERFORMANCE DATA (FULL LOAD)

| Rated Output (kW) | Rated Speed (1/min) | Voltage (V) | Frequency (Hz) | Current (A) | Efficiency (%) | Power Factor (Cos φ) | Rated Torque MN (Nm) | Starting Current IK/IN | Starting Torque MK/MN | Breakdown Torque MD/MN | Moment of Inertia Jmot (kgm <sup>2</sup> ) |
|-------------------|---------------------|-------------|----------------|-------------|----------------|----------------------|----------------------|------------------------|-----------------------|------------------------|--|
| 37                | 2962                | 400         | 50             | 65,1        | 91,2           | 0,90                 | 119,3                | 7,1                    | 2,6                   | 2,8                    | 0,130                                      |

### CHARACTERISTIC DATA

|                         |                      |                   |                  |                    |                          |                   |                       |
|-------------------------|----------------------|-------------------|------------------|--------------------|--------------------------|-------------------|-----------------------|
| Frame                   | Cast Iron (GG20)     | Bearings          | Standart         |                    |                          | Drive End Bearing | Non Drive End Bearing |
| End Shield - DE and NDE | Cast Iron (GG20)     |                   | Heavy Duty       |                    |                          | 6313 ZZ           | 6313 ZZ               |
| Foot                    | Ductile Iron (GGG40) | Special Equipment | Brake            | Forced ventilation | Heater                   | Encoder           | Heat sensor           |
| Fan                     | Plastic              |                   | ---              | ---                | <input type="checkbox"/> | ---               | ---                   |
| Terminal box            | Aluminium            | Colour            | RAL 6028 - Green |                    |                          | Weight (kg)       | 254                   |
| Cable Gland             | PA6.6 2 x Pg29       |                   |                  |                    |                          |                   |                       |



### DIMENSIONS (mm) ( B3-B5-V1-V5-V6-B6-B7-B8-B35 )

| B3    |       |       |       |       |       |       |       |       |       |      | B5    |       |       |      |           |     |      | Common Dimensions |       |       |      |       |      |      |      |    |          |
|-------|-------|-------|-------|-------|-------|-------|-------|-------|-------|------|-------|-------|-------|------|-----------|-----|------|-------------------|-------|-------|------|-------|------|------|------|----|----------|
| H     | A     | B     | C     | AB    | AC    | AD    | BB    | HC    | HD    | K    | P     | N     | M     | S    | Hole Pcs. | T   | LA   | LB                | LC    | L     | ØD   | E     | F    | GA   | GD   | DB | R        |
| 200,0 | 318,0 | 305,0 | 133,0 | 400,0 | 385,0 | 319,0 | 365,0 | 394,0 | 460,0 | 19,0 | 400,0 | 300,0 | 350,0 | 19,0 | 4,0       | 5,0 | 18,0 | ---               | 876,0 | 759,0 | 55,0 | 110,0 | 16,0 | 59,0 | 10,0 | *  | 2 x Pg29 |

Important Note : Values provided in this datasheet represent the preliminary design values. Please keep in mind that these values might vary for the final product, due to technical requirements.