



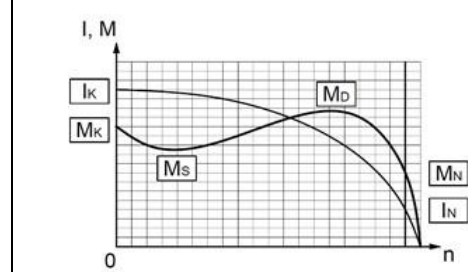
**ELSAN Elektrik San. ve Tic. A.Ş.**  
 Etiler Mah. 1458. Cad. No:40  
 06790 Etimesgut / Ankara / TÜRKİYE  
 T: +90 312 244 09 94 F: +90 312 243 14 38  
 M: info@emtas.com.tr W: www.emtas.com.tr



## TECHNICAL SPECIFICATION SHEET

### THREE PHASES SQUIRREL CAGE ASYNCHRONOUS MOTORS

|                                |            |            |   |
|--------------------------------|------------|------------|---|
| Type                           | NMSC 280Mc |            |   |
| Protection Class               | IP55       |            |   |
| Duty Type / Service Factor     | S1         | 1.0        |   |
| Insulation Class               | H          |            |   |
| Construction Type /Frame       | B35/ 280Mc |            |   |
| Altitude / Ambient temperature | 1000 m     | 40 C°      |   |
| Customer / Date / Order Number | -          | 11.01.2024 | - |

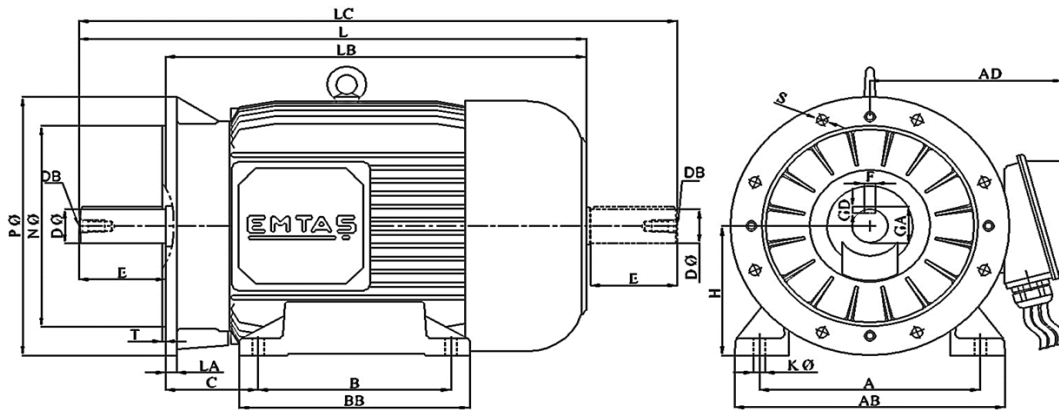


### PERFORMANCE DATA (FULL LOAD)

| Rated Output (kW) | Rated Speed (1/min) |      | Voltage (V) | Frequency (Hz) | Current (A) |       | Efficiency (%) | Power Factor (Cos φ) |  |      | Rated Torque MN (Nm) |       | Starting Current IK/IN |     | Starting Torque MK/MN |     | Breakdown Torque MD/MN | Moment of Inertia Jmot (kgm²) |
|-------------------|---------------------|------|-------------|----------------|-------------|-------|----------------|----------------------|--|------|----------------------|-------|------------------------|-----|-----------------------|-----|------------------------|-------------------------------|
|                   | 737                 | 1478 |             |                | 63,0        | 146,0 |                | 0,71                 |  | 0,88 | 323,9                | 484,6 | 6,8                    | 7,0 | 1,5                   | 1,6 |                        |                               |

### CHARACTERISTIC DATA

|                         |                      |                   |                  |                    |                          |                   |                       |
|-------------------------|----------------------|-------------------|------------------|--------------------|--------------------------|-------------------|-----------------------|
| Frame                   | Cast Iron (GG20)     | Bearings          | Standart         |                    |                          | Drive End Bearing | Non Drive End Bearing |
| End Shield - DE and NDE | Cast Iron (GG20)     |                   | Heavy Duty       |                    |                          | 6316              | 6316                  |
| Foot                    | Ductile Iron (GGG40) |                   |                  |                    |                          | -                 | -                     |
| Fan                     | Plastic              | Special Equipment | Brake            | Forced ventilation | Heater                   | Encoder           | Heat sensor           |
| Terminal box            | Cast Iron (GG20)     |                   | ---              | ---                | <input type="checkbox"/> | ---               | ---                   |
| Cable Gland             | PA6.6 2xPg48         | Colour            | RAL 6028 - Green |                    |                          | Weight (kg)       | 690                   |



### DIMENSIONS (mm) (B3-B5-V1-V5-V6-B6-B7-B8-B35)

| B3    |       |       |       |       |       |       |       |       |       | B5   |       |       |       |      |           |     | Common Dimensions |       |        |        |      |       |      |      |      |     |        |
|-------|-------|-------|-------|-------|-------|-------|-------|-------|-------|------|-------|-------|-------|------|-----------|-----|-------------------|-------|--------|--------|------|-------|------|------|------|-----|--------|
| H     | A     | B     | C     | AB    | AC    | AD    | BB    | HC    | HD    | K    | P     | N     | M     | S    | Hole Pcs. | T   | LA                | LB    | LC     | L      | ØD   | E     | F    | GA   | GD   | DB  | R      |
| 280,0 | 457,0 | 419,0 | 190,0 | 536,0 | 536,0 | 381,0 | 490,0 | 548,0 | 613,0 | 24,0 | 550,0 | 450,0 | 500,0 | 19,0 | 8,0       | 5,0 | 18,0              | 955,0 | 1246,0 | 1095,0 | 75,0 | 140,0 | 20,0 | 79,5 | 12,0 | M20 | 2xPg48 |

Important Note : Values provided in this datasheet represent the preliminary design values. Please keep in mind that these values might vary for the final product, due to technical requirements.