



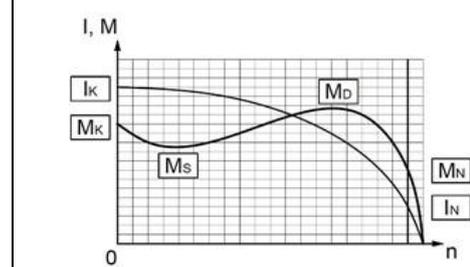
ELSAN Elektrik San. ve Tic. A.Ş.
 Etiler Mah. 1458. Cad. No:40
 06790 Etimesgut / Ankara / TÜRKİYE
 T: +90 312 244 09 94 F: +90 312 243 14 38
 M: info@emtas.com.tr W: www.emtas.com.tr



TECHNICAL SPECIFICATION SHEET

THREE PHASES SQUIRREL CAGE ASYNCHRONOUS MOTORS

| | | | |
|--------------------------------|-----------|------------|---|
| Type | NMSC 132S | | |
| Protection Class | IP55 | | |
| Duty Type / Service Factor | S1 | 1.0 | |
| Insulation Class | H | | |
| Construction Type /Frame | B35/ 132S | | |
| Altitude / Ambient temperature | 1000 m | 40 C° | |
| Customer / Date / Order Number | - | 11.01.2024 | - |

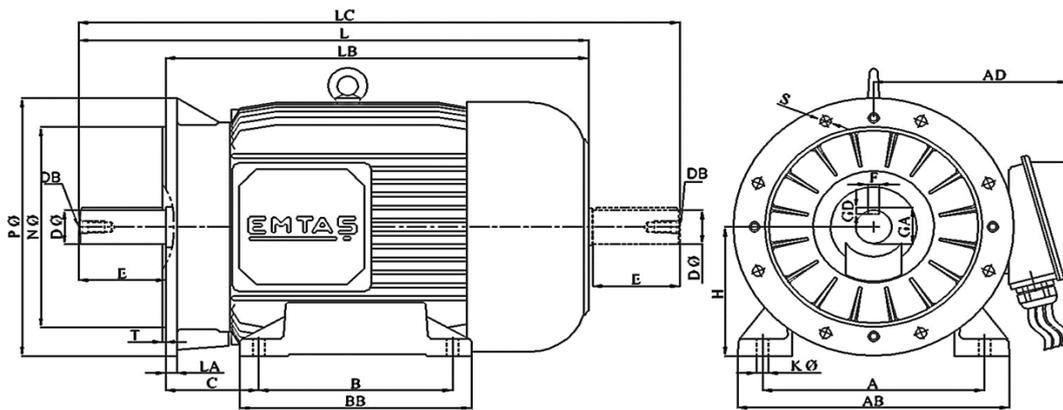


PERFORMANCE DATA (FULL LOAD)

| Rated Output (kW) | Rated Speed (1/min) | | Voltage (V) | Frequency (Hz) | Current (A) | | Efficiency (%) | Power Factor (Cos φ) | | | Rated Torque MN (Nm) | | Starting Current IK/IN | | Starting Torque MK/MN | | Breakdown Torque MD/MN | Moment of Inertia Jmot (kgm²) |
|-------------------|---------------------|-----|-------------|----------------|-------------|-----|----------------|----------------------|--|------|----------------------|------|------------------------|-----|-----------------------|-----|------------------------|-------------------------------|
| | 470 | 915 | | | 7,5 | 7,0 | | 0,53 | | 0,86 | 30,5 | 31,3 | 3,7 | 5,3 | 1,9 | 1,6 | | |
| 1,5-3 | 470 | 915 | 400 | 50 | 7,5 | 7,0 | 84,9 | 0,53 | | 0,86 | 30,5 | 31,3 | 3,7 | 5,3 | 1,9 | 1,6 | 2,8 | 0,010 |

CHARACTERISTIC DATA

| | | | | | | | |
|-------------------------|----------------------|-------------------|------------------|--------------------|--------------------------|-------------------|-----------------------|
| Frame | Cast Iron (GG20) | Bearings | Standart | | | Drive End Bearing | Non Drive End Bearing |
| End Shield - DE and NDE | Cast Iron (GG20) | | Heavy Duty | | | 6308 ZZ | 6308 ZZ |
| Foot | Ductile Iron (GGG40) | | | | | - | - |
| Fan | Plastic | Special Equipment | Brake | Forced ventilation | Heater | Encoder | Heat sensor |
| Terminal box | Aluminium | | --- | --- | <input type="checkbox"/> | --- | --- |
| Cable Gland | PA6.6 2 x Pg21 | Colour | RAL 6028 - Green | | | Weight (kg) | 58 |



DIMENSIONS (mm) (B3-B5-V1-V5-V6-B6-B7-B8-B35)

| B3 | | | | | | | | | | B5 | | | | | | | | Common Dimensions | | | | | | | | | |
|-------|-------|-------|------|-------|-------|-------|-------|-------|-------|------|-------|-------|-------|------|-----------|-----|------|-------------------|-------|-------|------|------|------|------|-----|----|----------|
| H | A | B | C | AB | AC | AD | BB | HC | HD | K | P | N | M | S | Hole Pcs. | T | LA | LB | LC | L | ØD | E | F | GA | GD | DB | R |
| 132,0 | 216,0 | 140,0 | 89,0 | 270,0 | 258,0 | 207,0 | 180,0 | 261,0 | 309,0 | 12,0 | 300,0 | 230,0 | 265,0 | 15,0 | 4,0 | 4,0 | 18,0 | 374,0 | 540,0 | 454,0 | 38,0 | 80,0 | 10,0 | 41,0 | 8,0 | * | 2 x Pg21 |

Important Note : Values provided in this datasheet represent the preliminary design values. Please keep in mind that these values might vary for the final product, due to technical requirements.