



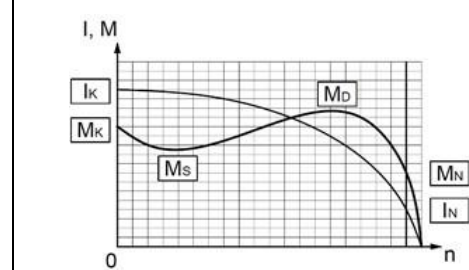
ELSAN Elektrik San. ve Tic. A.Ş.
 Etiler Mah. 1458. Cad. No:40
 06790 Etimesgut / Ankara / TÜRKİYE
 T: +90 312 244 09 94 F: +90 312 243 14 38
 M: info@emtas.com.tr W: www.emtas.com.tr



TECHNICAL SPECIFICATION SHEET

THREE PHASES SQUIRREL CAGE ASYNCHRONOUS MOTORS

Type	NMSCF 112M		
Protection Class	IP55		
Duty Type / Service Factor	S1	1.0	
Insulation Class	H		
Construction Type /Frame	B35/F 112M		
Altitude / Ambient temperature	1000 m	40 C°	
Customer / Date / Order Number	-	11.01.2024	-

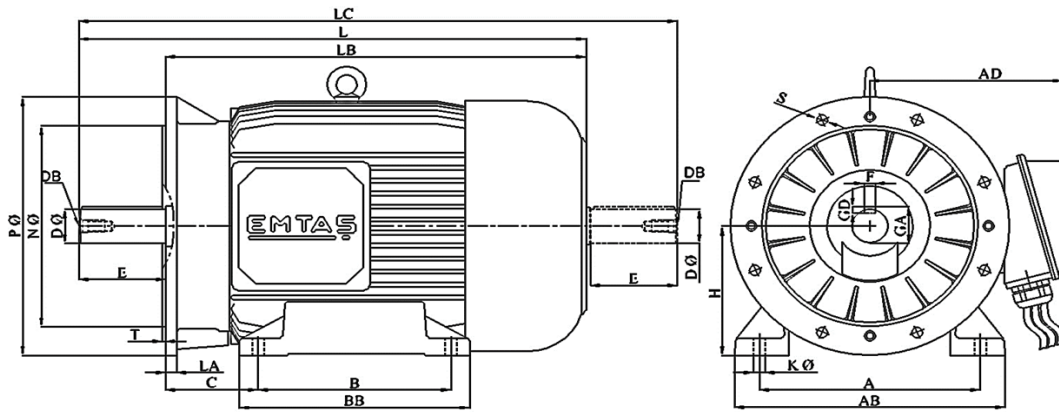


PERFORMANCE DATA (FULL LOAD)

Rated Output (kW)	Rated Speed (1/min)		Voltage (V)	Frequency (Hz)	Current (A)		Efficiency (%)	Power Factor (Cos φ)			Rated Torque MN (Nm)		Starting Current IK/IN		Starting Torque MK/MN		Breakdown Torque MD/MN	Moment of Inertia Jmot (kgm²)
	1-4	1440			2900	2,7		9,8	0,83		0,83	6,6	13,2	6,5	7,4	2,5		
1-4	1440	2900	400	50	2,7	9,8	83,3	0,83		0,83	6,6	13,2	6,5	7,4	2,5	2,8	2,6	0,005

CHARACTERISTIC DATA

Frame	Cast Iron (GG20)	Bearings	Standart			Drive End Bearing	Non Drive End Bearing
End Shield - DE and NDE	Cast Iron (GG20)		Heavy Duty			6306 ZZ	6306 ZZ
Foot	Ductile Iron (GGG40)					-	-
Fan	Plastic	Special Equipment	Brake	Forced ventilation	Heater	Encoder	Heat sensor
Terminal box	Aluminium		---	---	<input type="checkbox"/>	---	---
Cable Gland	PA6.6 2 x Pg13.5	Colour	RAL 6028 - Green			Weight (kg)	44



DIMENSIONS (mm) (B3-B5-V1-V5-V6-B6-B7-B8-B35)

B3										B5								Common Dimensions									
H	A	B	C	AB	AC	AD	BB	HC	HD	K	P	N	M	S	Hole Pcs.	T	LA	LB	LC	L	ØD	E	F	GA	GD	DB	R
112,0	190,0	140,0	70,0	235,0	218,0	176,0	175,0	221,0	262,0	12,0	250,0	180,0	215,0	15,0	4,0	4,0	14,0	325,0	453,0	385,0	28,0	60,0	8,0	31,0	7,0	*	2 x Pg13,5

Important Note : Values provided in this datasheet represent the preliminary design values. Please keep in mind that these values might vary for the final product, due to technical requirements.