



## TECHNICAL SPECIFICATION SHEET

### THREE PHASES SQUIRREL CAGE ASYNCHRONOUS MOTORS

Type	VHS - DKPM-S 55/2		
Protection Class	IP55		
Duty Type / Service Factor	VFD S1	1.0	
Insulation Class	F		
Construction Type /Frame	V1 / -		
Altitude / Ambient temperature	1000 m	40 C°	
Customer / Date / Order Number	-	17.01.2024	-

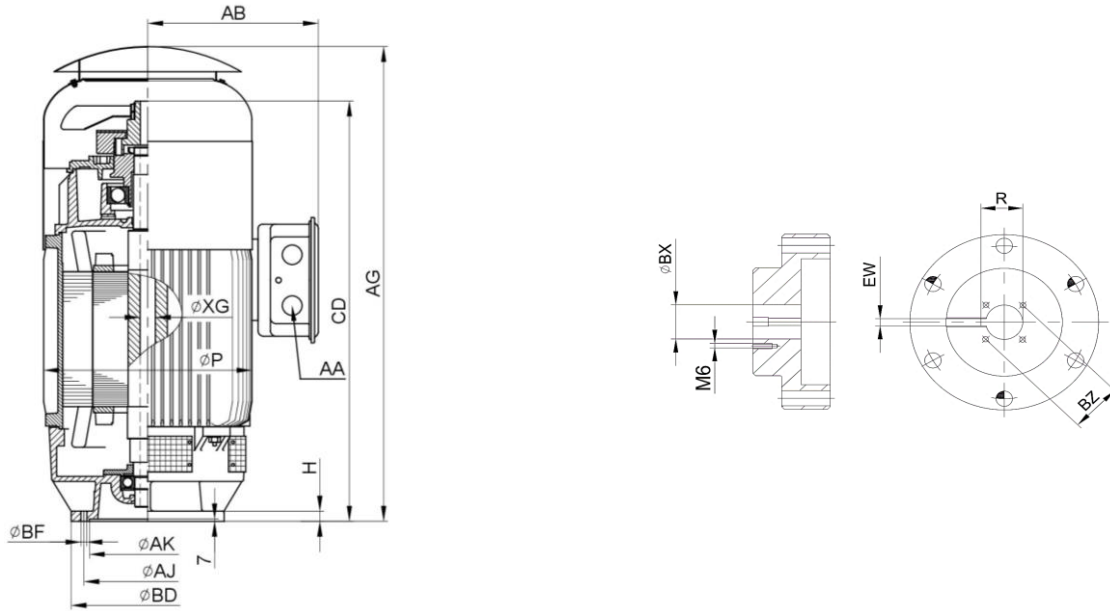


### PERFORMANCE DATA ( FULL LOAD )

Rated Output (kW)	Rated Speed (1/min)	Voltage (V)	Frequency (Hz)	Current (A)	Efficiency (%)	Power Factor (Cos φ)	Rated Torque MN (Nm)	Starting Current Ratio IK/IN	Starting Torque Ratio MK/MN	Breakdown Torque Ratio MD/MN	Permissible Axial Force (kN)
55	2957	380	50	99,3	92,50	0,91	177,6	6,70	2,50	2,60	-

### CHARACTERISTIC DATA

Frame	-	Bearings	Drive End Bearing	Non Drive End Bearing	
End Shield - DE and NDE	Cast Iron (GG20)		Standart	-	-
Foot	-	Special Equipment	<input type="checkbox"/> Heater	<input type="checkbox"/> Heat sensor	-
Terminal box	#YOK	Colour	RAL 2011 - Orange		
Cable Gland	PA6.6 - -	Weight (kg)	334		



### DIMENSIONS (mm) (Frame and Coupling)

Frame											Coupling			
H	AK	AJ	BD	AA	CD	AG	AB	P	XG	BF	BX	EW	BZ	R
-	-	-	-	-	-	-	-	-	-	-	-	-	-	-