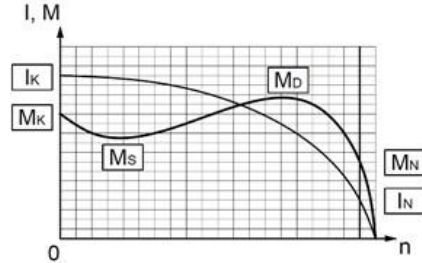




TECHNICAL SPECIFICATION SHEET

THREE PHASES SQUIRREL CAGE ASYNCHRONOUS MOTORS

| | | | |
|--------------------------------|--------------------|------------|---|
| Type | VHS - DKPM-S 260/4 | | |
| Protection Class | IP55 | | |
| Duty Type / Service Factor | VFD S1 | 1.0 | |
| Insulation Class | F | | |
| Construction Type /Frame | V1 / - | | |
| Altitude / Ambient temperature | 1000 m | 40 C° | |
| Customer / Date / Order Number | - | 17.01.2024 | - |

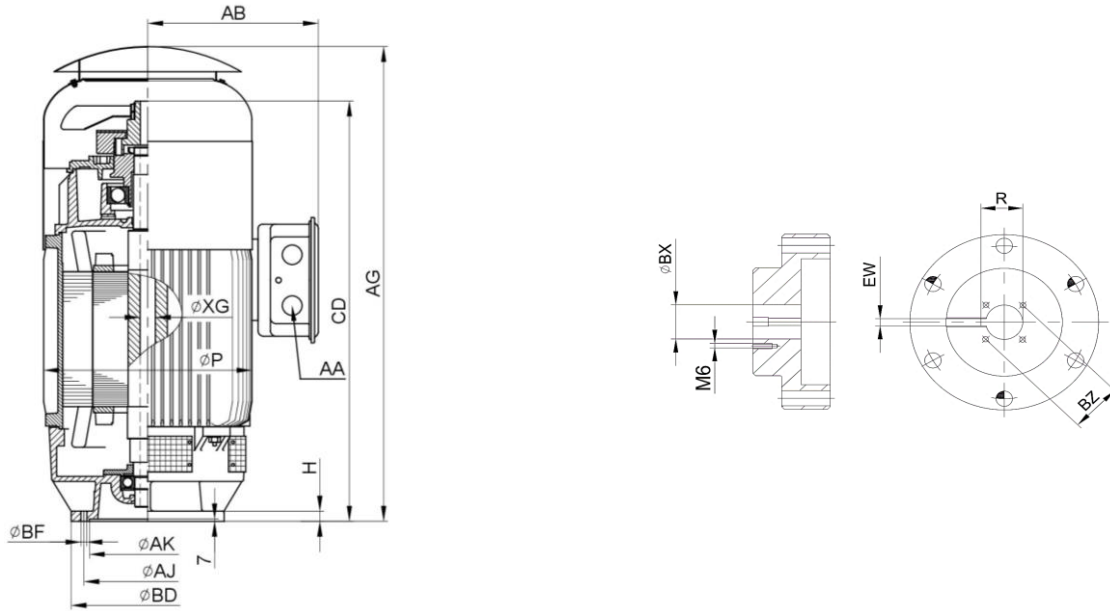


PERFORMANCE DATA (FULL LOAD)

| Rated Output (kW) | Rated Speed (1/min) | Voltage (V) | Frequency (Hz) | Current (A) | Efficiency (%) | Power Factor (Cos φ) | Rated Torque MN (Nm) | Starting Current Ratio IK/IN | Starting Torque Ratio MK/MN | Breakdown Torque Ratio MD/MN | Permissible Axial Force (kN) |
|-------------------|---------------------|-------------|----------------|-------------|----------------|----------------------|----------------------|------------------------------|-----------------------------|------------------------------|------------------------------|
| 260 | 1490 | 380 | 50 | 462,3 | 96,00 | 0,89 | 1666,4 | 7,10 | 2,00 | 2,30 | - |

CHARACTERISTIC DATA

| | | | | | | |
|-------------------------|------------------|-------------------|---------------------------------|--------------------------------------|-------------------|-----------------------|
| Frame | Cast Iron (GG20) | Bearings | Standart | | Drive End Bearing | Non Drive End Bearing |
| End Shield - DE and NDE | Cast Iron (GG20) | | - | | - | - |
| Foot | - | | - | | - | - |
| Fan | Plastic | Special Equipment | <input type="checkbox"/> Heater | <input type="checkbox"/> Heat sensor | - | |
| Terminal box | Aluminium | Colour | RAL 2011 - Orange | | | |
| Cable Gland | Brass - - | Weight (kg) | - | | | |



DIMENSIONS (mm) (Frame and Coupling)

| Frame | | | | | | | | | | | Coupling | | | |
|-------|----|----|----|----|----|----|----|---|----|----|----------|----|----|---|
| H | AK | AJ | BD | AA | CD | AG | AB | P | XG | BF | BX | EW | BZ | R |
| - | - | - | - | - | - | - | - | - | - | - | - | - | - | - |

Important Note - Values provided in this datasheet represent the preliminary design values. Please keep in mind that these values might vary for the final product, due to technical requirements.