



TECHNICAL SPECIFICATION SHEET

THREE PHASES SQUIRREL CAGE ASYNCHRONOUS MOTORS

Type	VHS - DKPM-S 90/2		
Protection Class	IP55		
Duty Type / Service Factor	VFD S1	1.0	
Insulation Class	F		
Construction Type /Frame	V1 / -		
Altitude / Ambient temperature	1000 m	40 C°	
Customer / Date / Order Number	-	17.01.2024	-

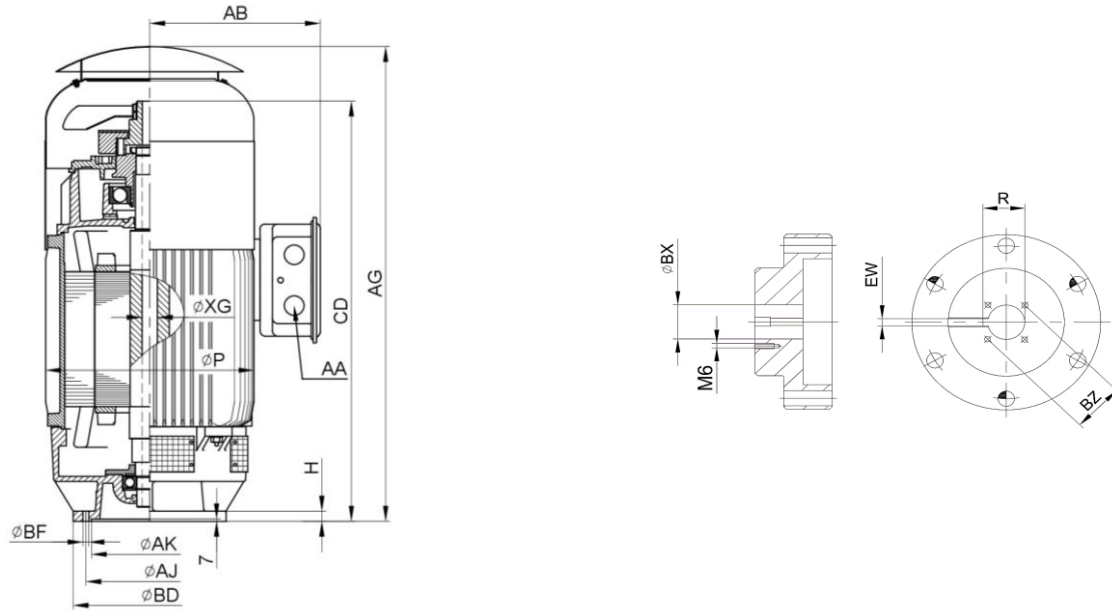


PERFORMANCE DATA (FULL LOAD)

Rated Output (kW)	Rated Speed (1/min)	Voltage (V)	Frequency (Hz)	Current (A)	Efficiency (%)	Power Factor (Cos φ)	Rated Torque MN (Nm)	Starting Current Ratio IK/IN	Starting Torque Ratio MK/MN	Breakdown Torque Ratio MD/MN	Permissible Axial Force (kN)
108	3574	460	60	163,8	93,00	0,89	288,6	7,50	2,10	2,90	-

CHARACTERISTIC DATA

Frame	-	Bearings	Drive End Bearing		Non Drive End Bearing	
End Shield - DE and NDE	Cast Iron (GG20)		Standart		-	
Foot	-		-		-	
Fan	Plastic	Special Equipment		<input type="checkbox"/> Heater	<input type="checkbox"/> Heat sensor	-
Terminal box	#YOK	Colour		RAL 2011 - Orange		
Cable Gland	PA6.6 - -	Weight (kg)		490		



DIMENSIONS (mm) (Frame and Coupling)

Frame											Coupling			
H	AK	AJ	BD	AA	CD	AG	AB	P	XG	BF	BX	EW	BZ	R
-	-	-	-	-	-	-	-	-	-	-	-	-	-	-

Important Note - Values provided in this datasheet represent the preliminary design values. Please keep in mind that these values might vary for the final product, due to technical requirements.