



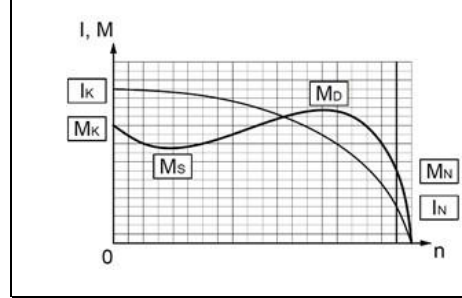
ELSAN Elektrik San. ve Tic. A.Ş.
 Etiler Mah. 1458. Cad. No:40
 06790 Etimesgut / Ankara / TÜRKİYE
 T: +90 312 244 09 94 F: +90 312 243 14 38
 M: info@emtas.com.tr W: www.emtas.com.tr



TECHNICAL SPECIFICATION SHEET

THREE PHASES SQUIRREL CAGE ASYNCHRONOUS MOTORS

Type	NMSF 200L6		
Protection Class	IP55		
Duty Type / Service Factor	S2 - 240 dk	1.0	
Insulation Class	F		
Construction Type /Frame	B3/200L6		
Altitude / Ambient temperature	1000 m	40 C°	
Customer / Date / Order Number	-	12.03.2026	-

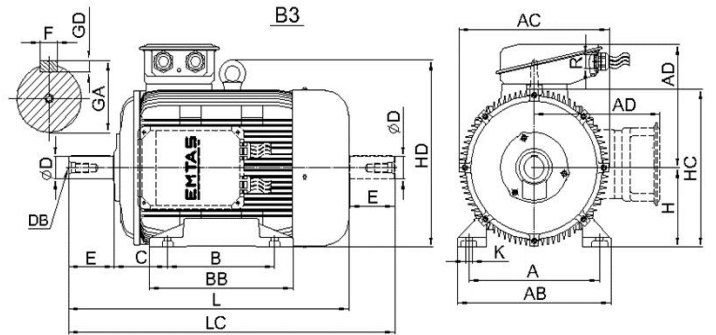
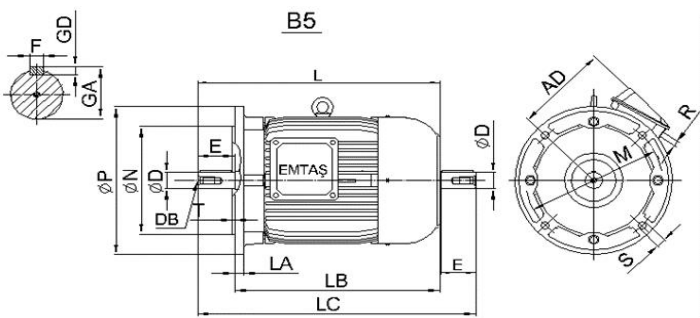


PERFORMANCE DATA (FULL LOAD)

Rated Output (kW)	Rated Speed (1/min)	Voltage (V)	Frequency (Hz)	Current (A)	Efficiency (%)	Power Factor (Cos φ)	Rated Torque MN (Nm)	Starting Current IK/IN	Starting Torque MK/MN	Breakdown Torque MD/MN	Moment of Inertia Jmot (kgm²)
22	970	400	50	42,9	89,2	0,83	216,6	6,2	2,2	3,3	0,273

CHARACTERISTIC DATA

Frame	Cast Iron (GG20)	Bearings				Drive End Bearing	Non Drive End Bearing	
End Shield - DE and NDE	Cast Iron (GG20)		Standart				6313 ZZ	6313 ZZ
Foot	Ductile Iron (GGG40)		Heavy Duty				NU 313	-
Fan	Plastic	Special Equipment	Brake	Forced ventilation	Heater	Encoder	Heat sensor	
Terminal box	Aluminium		500 Nm brake	---	<input type="checkbox"/>		---	---
Cable Gland	PA6.6 2 x Pg29	Colour	RAL 6028 - Green			Weight (kg)	288	



DIMENSIONS (mm) (B3-B5-V1-V5-V6-B6-B7-B8-B35)

B3										B5										Common Dimensions									
H	A	B	C	AB	AC	AD	BB	HC	HD	K	P	N	M	S	Hole Pcs.	T	LA	LB	LC	L	ØD	E	F	GA	GD	DB	R		
200,0	318,0	305,0	133,0	400,0	385,0	319,0	365,0	394,0	460,0	19,0	400,0	300,0	350,0	19,0	4,0	5,0	18,0	---	1032,0	915,0	55,0	110,0	16,0	59,0	10,0	*	2 x Pg29		

Important Note : Values provided in this datasheet represent the preliminary design values. Please keep in mind that these values might vary for the final product, due to technical requirements.