



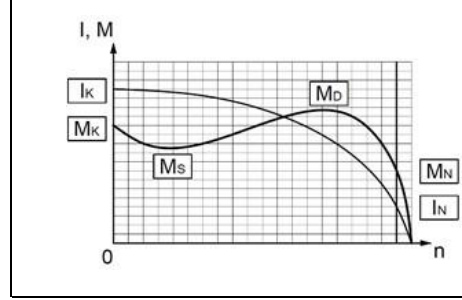
**ELSAN Elektrik San. ve Tic. A.Ş.**  
 Etiler Mah. 1458. Cad. No:40  
 06790 Etimesgut / Ankara / TÜRKİYE  
 T: +90 312 244 09 94 F: +90 312 243 14 38  
 M: info@emtas.com.tr W: www.emtas.com.tr



## TECHNICAL SPECIFICATION SHEET

### THREE PHASES SQUIRREL CAGE ASYNCHRONOUS MOTORS

Type	NMSF 100L8		
Protection Class	IP55		
Duty Type / Service Factor	S2 - 240 dk	1.0	
Insulation Class	F		
Construction Type /Frame	B3/ 100L8		
Altitude / Ambient temperature	1000 m	40 C°	
Customer / Date / Order Number	-	12.03.2026	-

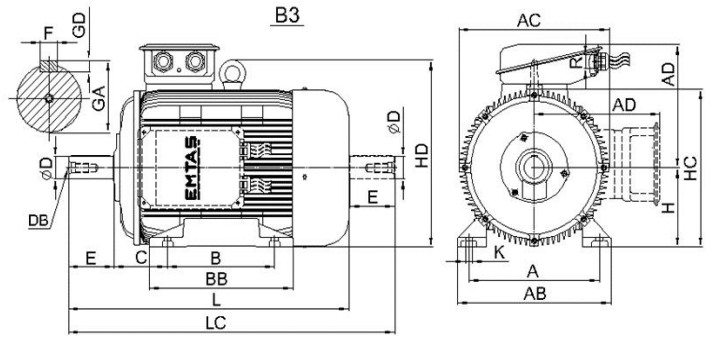
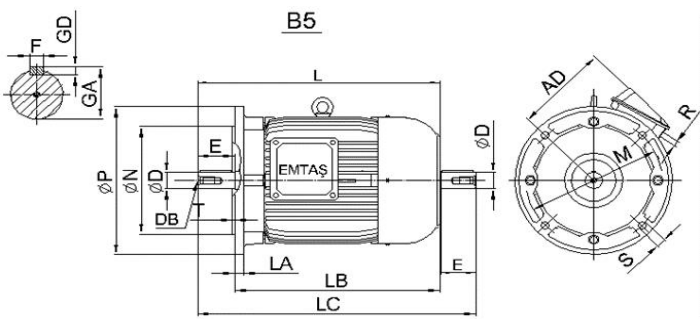


### PERFORMANCE DATA (FULL LOAD)

Rated Output (kW)	Rated Speed (1/min)	Voltage (V)	Frequency (Hz)	Current (A)	Efficiency (%)	Power Factor (Cos φ)	Rated Torque MN (Nm)	Starting Current IK/IN	Starting Torque MK/MN	Breakdown Torque MD/MN	Moment of Inertia Jmot (kgm²)
0,75	689	400	50	2,8	61,0	0,64	10,4	3,0	1,6	1,8	0,007

### CHARACTERISTIC DATA

Frame	Cast Iron (GG20)	Bearings	Standart			Drive End Bearing	Non Drive End Bearing
End Shield - DE and NDE	Cast Iron (GG20)		Heavy Duty			6206 ZZ	6206 ZZ
Foot	Ductile Iron (GGG40)					NU 206	-
Fan	Plastic	Special Equipment	Brake	Forced ventilation	Heater	Encoder	Heat sensor
Terminal box	Cast Iron (GG20)		40 Nm brake	---	<input type="checkbox"/>		
Cable Gland	PA6.6 2 x Pg13,5	Colour	RAL 6028 - Green			Weight (kg)	30



### DIMENSIONS (mm) (B3-B5-V1-V5-V6-B6-B7-B8-B35)

B3					B5										Common Dimensions												
H	A	B	C	AB	AC	AD	BB	HC	HD	K	P	N	M	S	Hole Pcs.	T	LA	LB	LC	L	ØD	E	F	GA	GD	DB	R
100,0	160,0	140,0	63,0	200,0	194,0	138,0	175,0	197,0	-	12,0	250,0	180,0	215,0	15,0	4,0	4,0	14,0	---	540,0	473,0	28,0	60,0	8,0	31,0	7,0	*	2 x Pg13,5

Important Note : Values provided in this datasheet represent the preliminary design values. Please keep in mind that these values might vary for the final product, due to technical requirements.